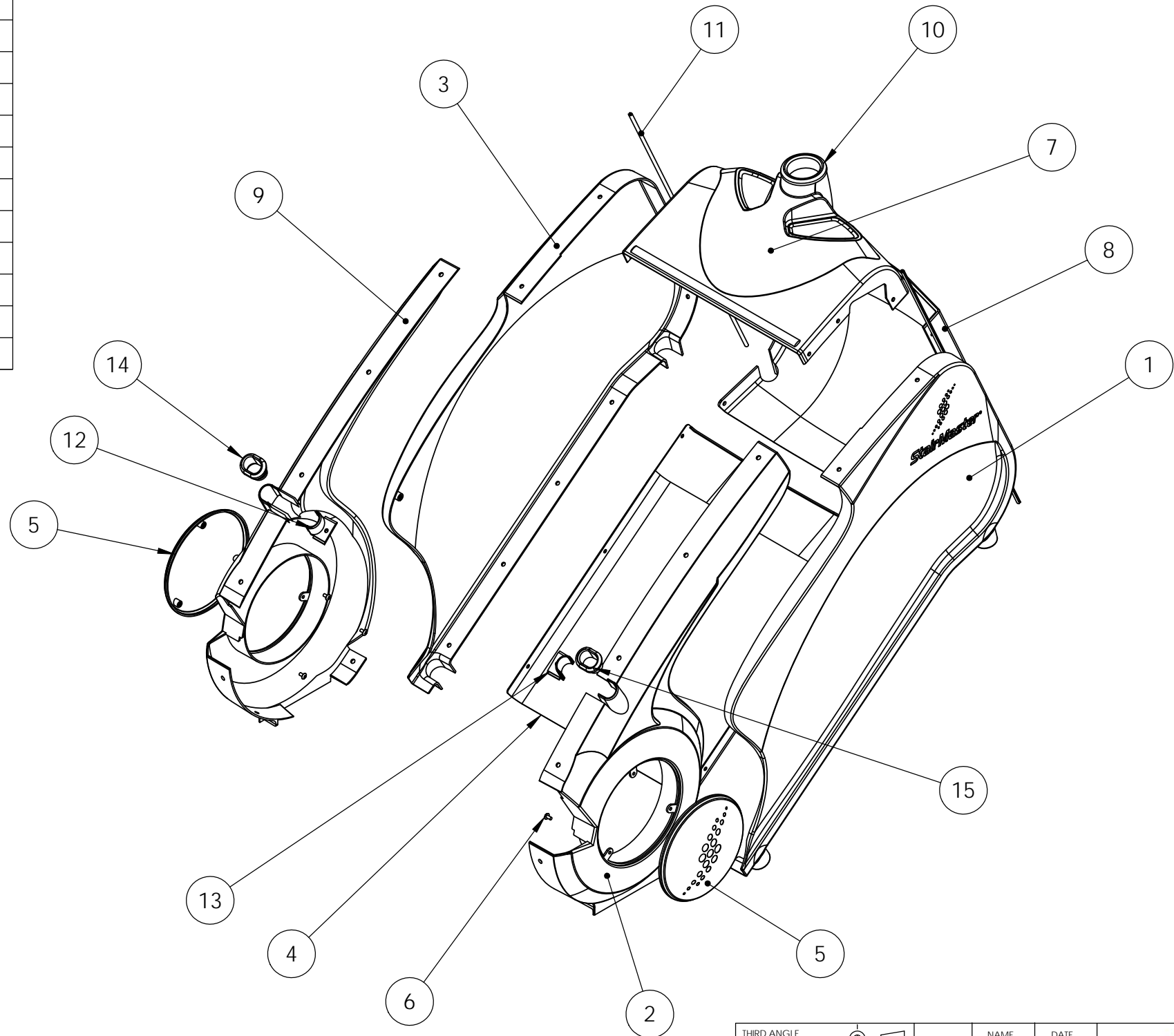
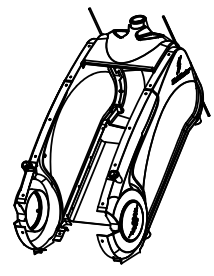


ITEM NO.	PART NO.	QTY.	SERV.	DESCRIPTION
1	050-0062	1	YES	BODY PANEL -R
2	050-0061	1	YES	WHEEL PANEL, RIGHT
3	050-0060	1	YES	BODY PANEL -L
4	050-0059	1	YES	BELLY PAN
5	050-0058	2	YES	WHEEL
6	050-0057	6	YES	SCREW 1/4X1/2 PHILLIPS HEAD TYPE-T
7	050-0055	1	YES	TOP SHROUD, NOSE CAP
8	050-0056	1	YES	FRONT SHIELD, STAIRMASTER
9	050-0053	1	YES	WHEEL PANEL, LEFT
10	050-0219	1	YES	RUBBER BOOT, MAST
11	050-0261	2	YES	PANEL EDGE TRIM, RUBBER
12	050-0223	1	YES	COVER, HAND RAIL, LEFT
13	050-0224	1	YES	COVER, HAND RAIL, RIGHT
14	050-0217	1	YES	RUBBER BOOT, HANDRAIL, LEFT
15	050-0218	1	YES	RUBBER BOOT, HANDRAIL, RIGHT
16	050-0192	2	YES	LOWER L/R SHROUD DECAL

REV.	DESCRIPTION	DATE	APPROVED
A	ORIGINATED	10/19/2011	KDH



NOTES:  
ITEM 16 NOT SHOWN. 050-0192 IS IN BOM FOR REFERENCE ONLY.

**PROPRIETARY AND CONFIDENTIAL**  
THE INFORMATION CONTAINED IN THIS DRAWING IS THE SOLE PROPERTY OF STAIRMASTER OR CORE FITNESS. ANY REPRODUCTION IN PART OR AS A WHOLE WITHOUT THE WRITTEN PERMISSION OF STAIRMASTER OR CORE FITNESS IS PROHIBITED.

THIRD ANGLE PROJECTION:

PRIMARY DIMENSIONS GIVEN IN MILLIMETERS SECONDARY DIMENSIONS GIVEN IN INCHES. UNLESS OTHERWISE SPECIFIED MATCH 3D GEOMETRY ± TWO PLACE DECIMAL.

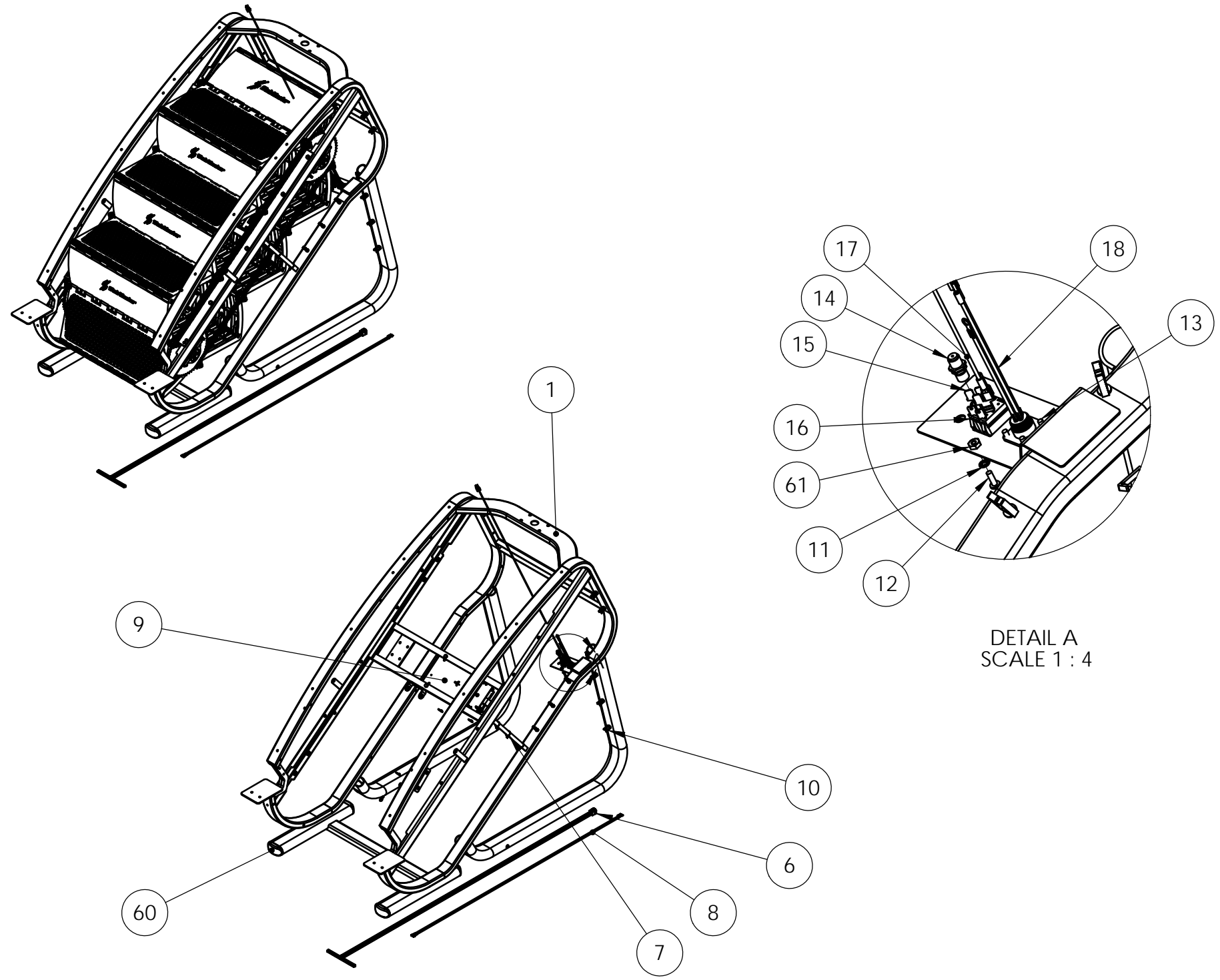
TOLERANCES:  
ANGULAR: ± 1°  
WHOLE MEASUREMENTS ± 1.  
ONE PLACE DECIMAL ± .3  
TWO PLACE DECIMAL ± .15

	NAME	DATE
MODELED	KDH	11/24/2010
DRAWN	KDH	10/6/2011
ENG APPR.		
SERVICABLE:NO		
MATERIAL:		
COLOR:		
FINISH:		
VENDOR PN:		

MODEL DESCRIPTION: PANEL ASSY	
3D MODEL: PA13\H:\Engineering on the 5 drive (8-19)\Engineering\Product Development\VPD	REV: 05 08-19-2011
DRAWING: PA13\H:\Engineering on the 5 drive (8-19)\Engineering\Product Development	REV: 05 08-19-2011
SCALE: 1:50 CONFIG:默认	SIZE: B SHEET: 1 OF 1

ITEM NO.	PART NO.	QTY.	SERV.	DESCRIPTION
1	050-0159	1	NO	MAIN FRAME
2	14336	8	YES	SHAFT, STEP, STEPMILL, SM916
3	050-0177	8	YES	SHAFT STEP THREADED
4	050-0033	8	YES	STEP, TOP 9"
5	050-0032	8	YES	STEP, RISER 9"
6	050-0161	1	YES	WIRING HARNESS PCB TO CONSOLE, UPPER
7	20473	3	YES	TYRAP, 1/8 X 4
8	050-0105	1	YES	SWITCH, POWER CONNECTOR CABLE
9	22933	1	YES	ASSY, RELAY, RESISTOR, SM916
10	19-2150	11	YES	Wire Saddle WSBH-3-01
11	22109	1	YES	WASHER, #8 INTERNAL TOOTH
12	22133	1	YES	SCREW, #8 X1/2 TYPE T SLOT HX WASHER HD SELF TAP
13	050-0254	4	YES	SCREW, PHS, M4 X 0.7 X 10
14	17787	1	YES	VIDEO CONNECTOR
15	050-0252	2	YES	TERMINAL, QUICK-DISCONNECT, SPLITTER
16	050-0038	1	YES	SWITCH, SM 5 POWER
17	050-0037	1	YES	POWER HARNESS LOWER SM5
18	050-0039	1	YES	ASSY, MAIN POWER
19	22038	6	YES	1/4" FLAT WASHER
20	050-0114	7	YES	LOCK NUT, NYLON, 1/4-20
21	22162	8	YES	SCREW, .250-20X.75, HEX HD CAP
22	10037	4	YES	ADJUSTER, BEARING, STEPMILL
23	22848	2	YES	PLATE, BEARING, STEPMILL, V2
24	20012	4	YES	BEARING, PILLOW BLOCK
25	23424	1	YES	WELDMENT, SPROCKET, UPPER, STEPMILL
26	10205	1	YES	WELDMENT, SPROCKET, LOWER, STEPMILL
27	27268	2	YES	CHAIN ASSY
28	22072	2	YES	SCREW, SET, .312-24 X .38, HEX SOC.
29	22032	6	YES	NUT, .312-18, NYLON INSERT, HEX
30	10819-286	8	YES	SCREW, CAP, HX HD 5/16-18X .88
31	22030	8	YES	WASHER, FLAT, 3/8 ZINC PLTD
32	22029	8	YES	NUT, .375-16, NYLON INSERT, HEX
33	20034	8	YES	STUD, 3/8-16 X 2 1/4 LONG
34	20039	4	YES	SET SCREW, CUP POINT, 3/8-16 X 1.00
35	20808	1	YES	PAD, RUBBER, TRANSMISSION
36	050-0009	1	YES	Bracket, Alternator
37	20202	1	YES	BELT, POLY-V, 200J6
38	21247	1	YES	PULLEY, ALTERNATOR, POLY-V
39	10059	1	YES	BRACE, TRANSMISSION, STEPMILL
40	050-0008	1	YES	PAN, CATCH
41	23257	1	YES	CHAIN, DRIVE, #40 X 41 1/2 LONG
42	050-0130	1	YES	REDUCTION GEARBOX ASSY
43	20114	1	YES	SPACER, ALTERNATOR
44	22900	1	YES	ALTERNATOR, PRESTOLITE, ROHS
45	22027	4	YES	WASHER, SPLIT LOCK, .250
46	22983	2	YES	WASHER, SHOULDER, .25 ID, NYLON
47	22146	1	YES	SCREW, .312-18X1.25, HEX HD CAP
48	22026	1	YES	SCREW, .250-20X1.00, HEX HD CAP
49	050-0249	1	YES	FENDER WASHER, 5/16
50	22435	2	YES	GROMMET, .25 ID x .44 OD
51	22164	4	YES	SCREW, .250 - 20 x 1.25, HEX HD CAP
52	22091	2	YES	WASHER, .531X1.063X.094, STEEL, ZINC
53	22042	1	YES	NUT, 1/2-13 NYLON INSERT
54	26669	1	YES	SCREW, .500-13 UNC x 4.50, HEX HEAD CAP
55	23082	16	YES	BEARING, .608 2Z
56	22128	16	YES	WASHER, FLAT, .312 ID X .562 OD
57	050-0253	56	YES	SPACER, STEP SHAFT, NYLON
58	002-0774	16	YES	E-RING, .250
59	050-0238	16	YES	NUT, NYLON INSERT LOCK 5/16-24
60	050-0100	4	YES	LOWER PLASTIC FRAME END CAP PLUG
61	22110	1	YES	NUT, #8 - 32, HEX MACH

REV.	DESCRIPTION	DATE	APPROVED
A	ORIGINAL RELEASE	9/15/2011	KDH

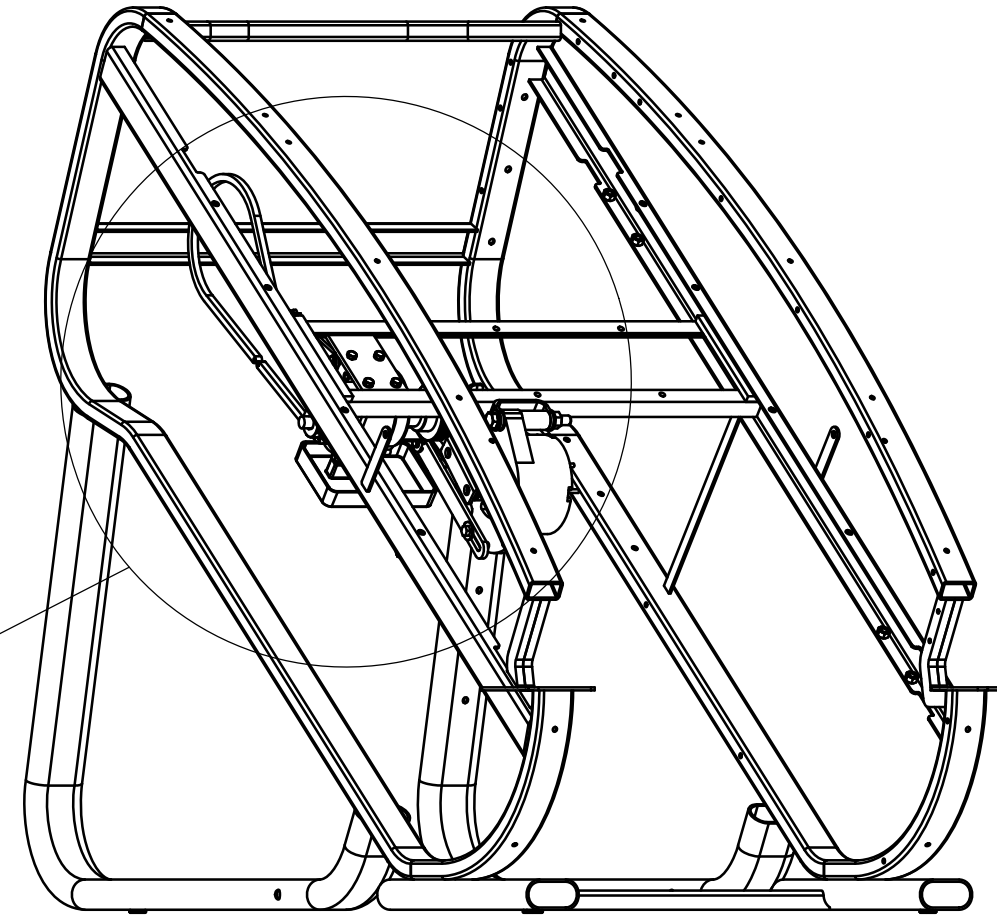
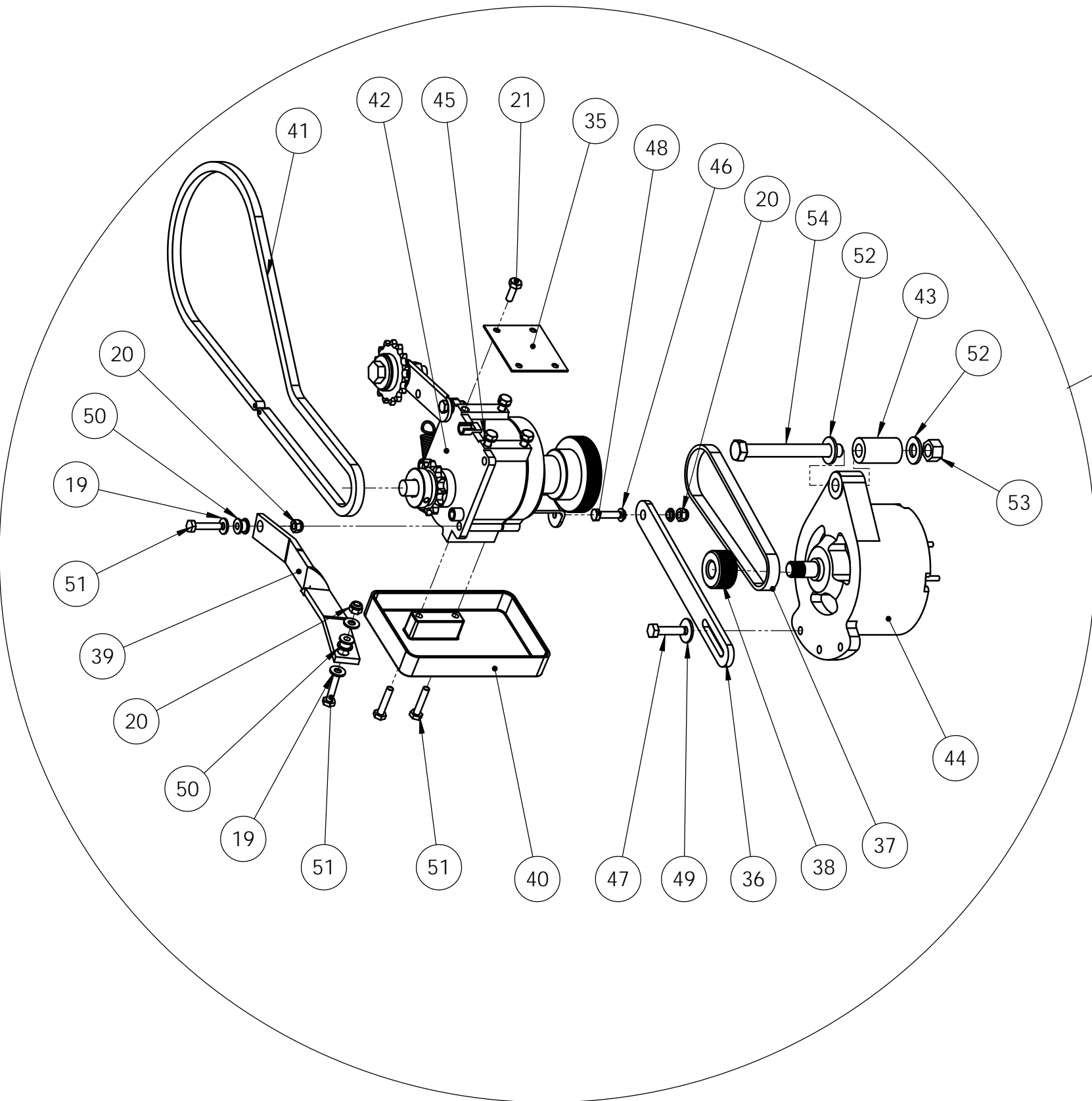


DETAIL A  
SCALE 1 : 4

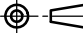
- NOTES:
1. BEARINGS COME WITH SET SCREW. APPLY RED LOCKTITE AND TORQUE TO 80 INLBS.
  2. BEARING SUPPORT PLATES TO BE COATED WITH MOBIL GREASE XHP222.
  3. GEARBOX AND ALTERNATOR COME WITH KEYS.
  4. TORQUE INSTALATION BOLTS FOR GEAR BOX TO 80INLBS.
  5. USE LOCTITE 242 ON INSTALATION BOLTS FOR 050-0009

**PROPRIETARY AND CONFIDENTIAL**  
THE INFORMATION CONTAINED IN THIS DRAWING IS THE SOLE PROPERTY OF STAIRMASTER OR CORE FITNESS. ANY REPRODUCTION IN PART OR AS A WHOLE WITHOUT THE WRITTEN PERMISSION OF STAIRMASTER OR CORE FITNESS IS PROHIBITED.

THIRD ANGLE PROJECTION:		NAME	DATE	
MODELED	KDH	7/22/2010		
DRAWN	KDH	12/20/2010		
ENG APPR.				
SERVICABLE NO				MODEL DESCRIPTION: <b>MAIN FRAME ASSY</b>
MATERIAL:				3D MODEL: PA131 H:\Engineering on the 5 drive (8-19)\Engineering\Product Development\REV 05 08-19-2011
COLOR:				050-0160
FINISH:				DRAWING: PA131 H:\Engineering on the 5 drive (8-19)\Engineering\Product Development\REV 05 08-19-2011
VENDOR PN:				050-0160
SCALE: 1:1 CONFIG: Default				SIZE: B SHEET: 1 OF 3



**PROPRIETARY AND CONFIDENTIAL**  
 THE INFORMATION CONTAINED IN THIS DRAWING IS THE SOLE PROPERTY OF STAIRMASTER OR CORE FITNESS. ANY REPRODUCTION IN PART OR AS A WHOLE WITHOUT THE WRITTEN PERMISSION OF STAIRMASTER OR CORE FITNESS IS PROHIBITED.

THIRD ANGLE PROJECTION: 

PRIMARY DIMENSIONS GIVEN IN MILLIMETERS SECONDARY DIMENSIONS GIVEN IN INCHES. UNLESS OTHERWISE SPECIFIED MATCH 3D GEOMETRY ± TWO PLACE DECIMAL.

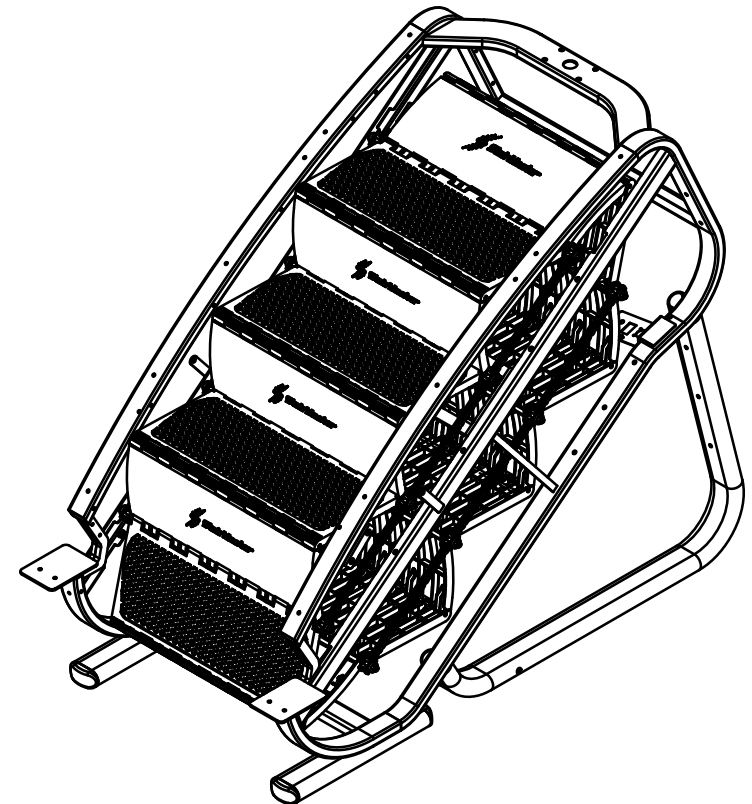
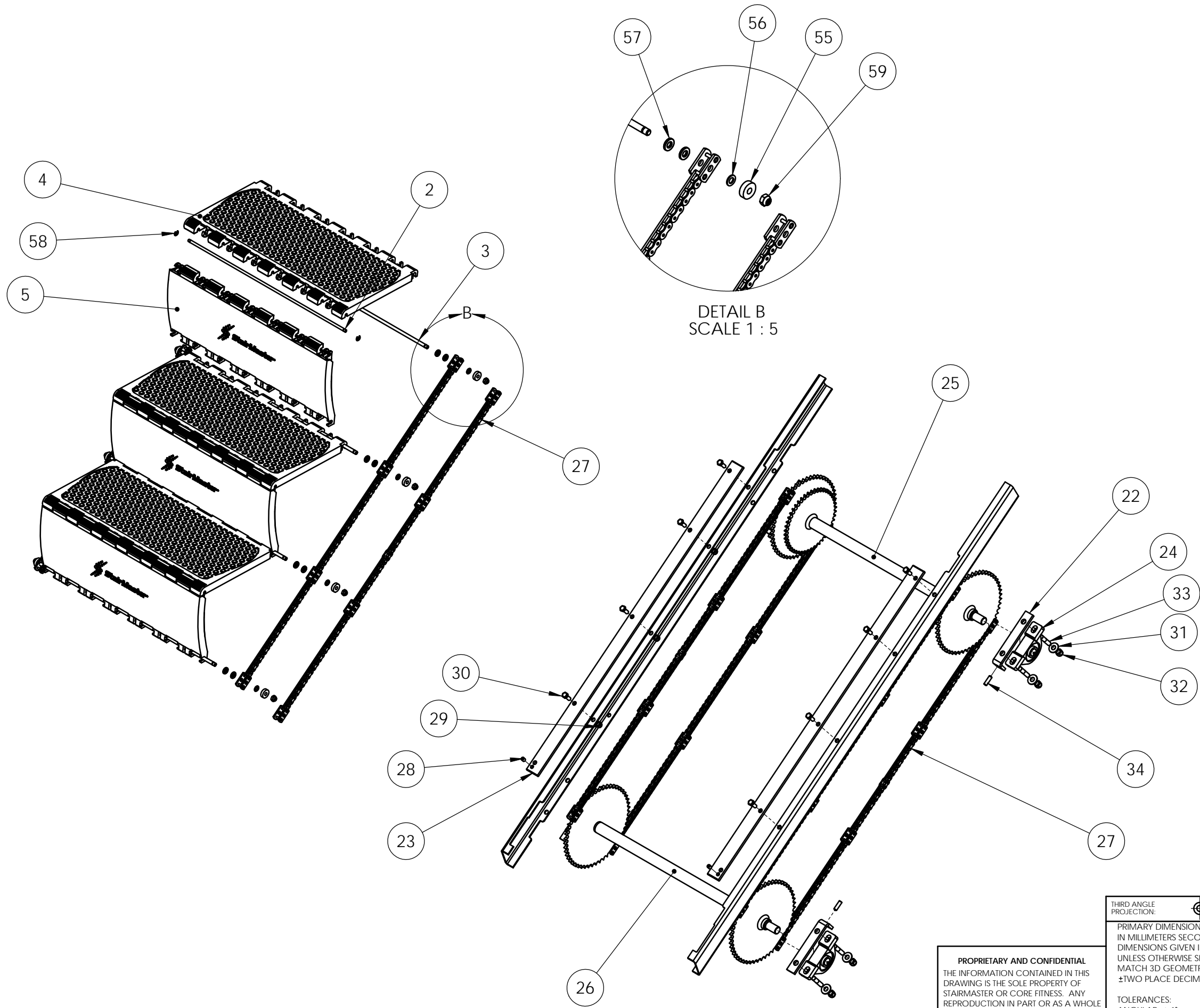
TOLERANCES:  
 ANGULAR: ± 1°  
 WHOLE MEASUREMENTS ± 1.  
 ONE PLACE DECIMAL ± .3  
 TWO PLACE DECIMAL ± .15

	NAME	DATE
MODELED	KDH	7/22/2010
DRAWN	KDH	12/20/2010
ENG APPR.		
SERVICABLE:NO		
MATERIAL:		
COLOR:		
FINISH:		
VENDOR PN:		

MODEL DESCRIPTION:	
MAIN FRAME ASSY.	
3D MODEL: PA131 H:\Engineering on the 5 drive (8-19)\Engineering\Product Development\VPD	REV: 05 08-19-2011
COLOR: 050-0160	A
DRAWING: PA131 H:\Engineering on the 5 drive (8-19)\Engineering\Product Development	REV: 05 08-19-2011
COLOR: 050-0160	A
SCALE: 1:1 CONFIG: transmission assy	SIZE: B SHEET: 2 OF 3







**PROPRIETARY AND CONFIDENTIAL**  
 THE INFORMATION CONTAINED IN THIS DRAWING IS THE SOLE PROPERTY OF STAIRMASTER OR CORE FITNESS. ANY REPRODUCTION IN PART OR AS A WHOLE WITHOUT THE WRITTEN PERMISSION OF STAIRMASTER OR CORE FITNESS IS PROHIBITED.

THIRD ANGLE PROJECTION:

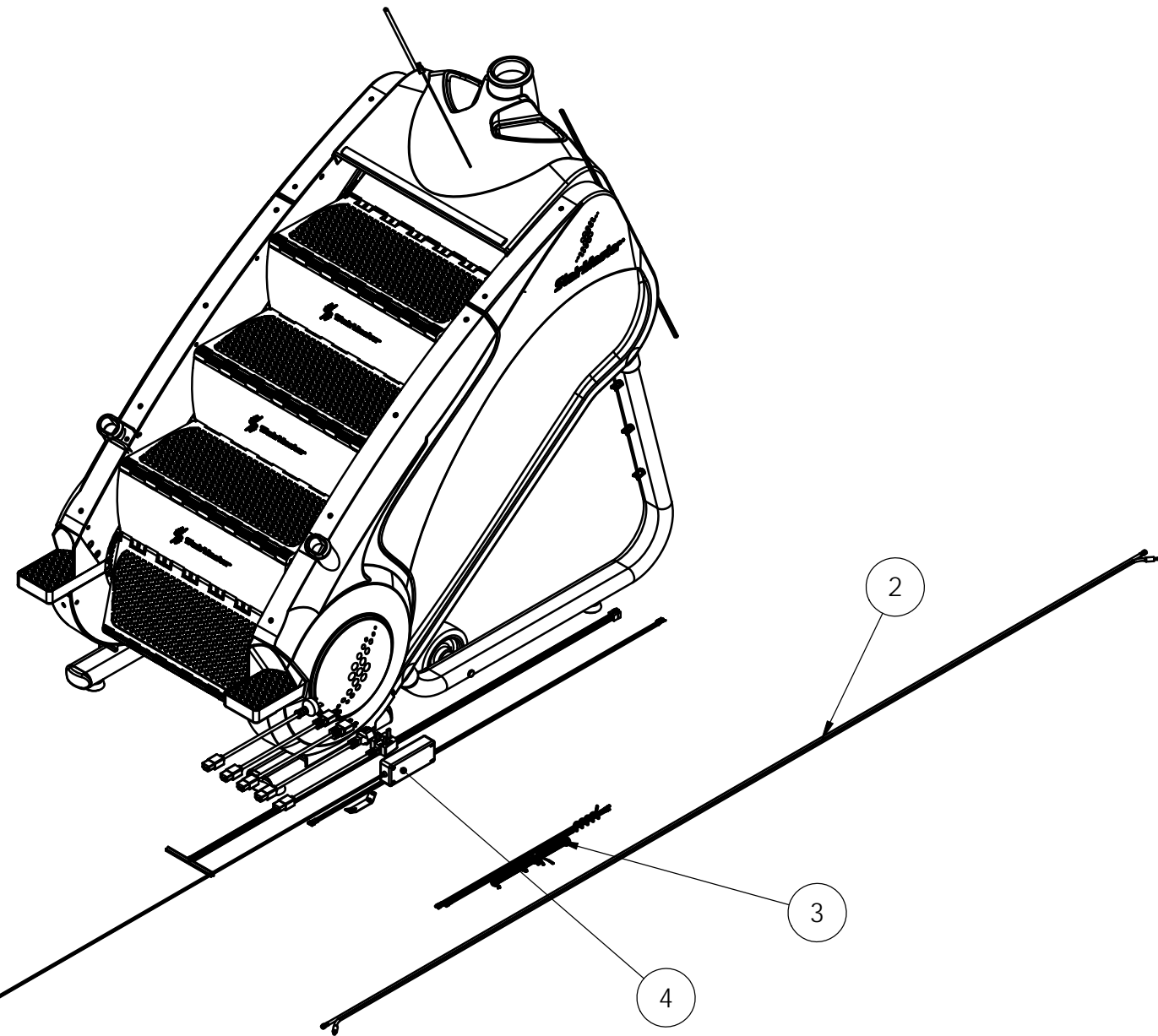
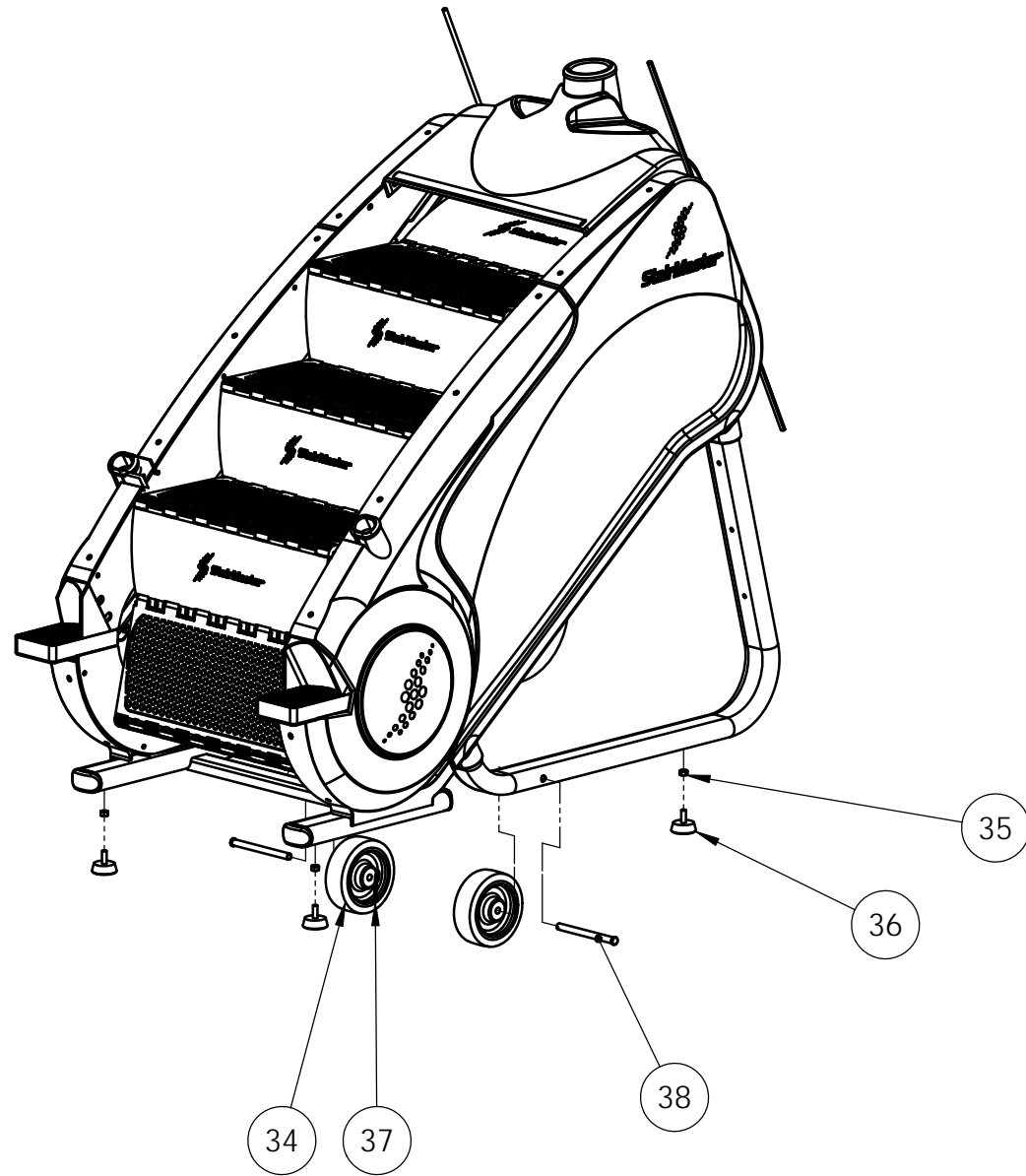
PRIMARY DIMENSIONS GIVEN IN MILLIMETERS SECONDARY DIMENSIONS GIVEN IN INCHES. UNLESS OTHERWISE SPECIFIED MATCH 3D GEOMETRY ± TWO PLACE DECIMAL.

TOLERANCES:  
 ANGULAR: ± 1°  
 WHOLE MEASUREMENTS ± 1.  
 ONE PLACE DECIMAL ± .3  
 TWO PLACE DECIMAL ± .15

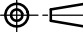
	NAME	DATE
MODELED	KDH	7/22/2010
DRAWN	KDH	12/20/2010
ENG APPR.		
SERVICABLE:NO		
MATERIAL:		
COLOR:		
FINISH:		
VENDOR PN:		

MODEL DESCRIPTION:	
MAIN FRAME ASSY.	
3D MODEL: PALH H:\Engineering on the 5 drive (8-19)\Engineering\Product Development\VPD	REV:05 08-19-2011
COLOR: 050-0160	A
DRAWING: PALH H:\Engineering on the 5 drive (8-19)\Engineering\Product Development	REV:05 08-19-2011
COLOR: 050-0160	A
SCALE: 1:1 CONFIG:step assy	SIZE: B SHEET: 3 OF 3





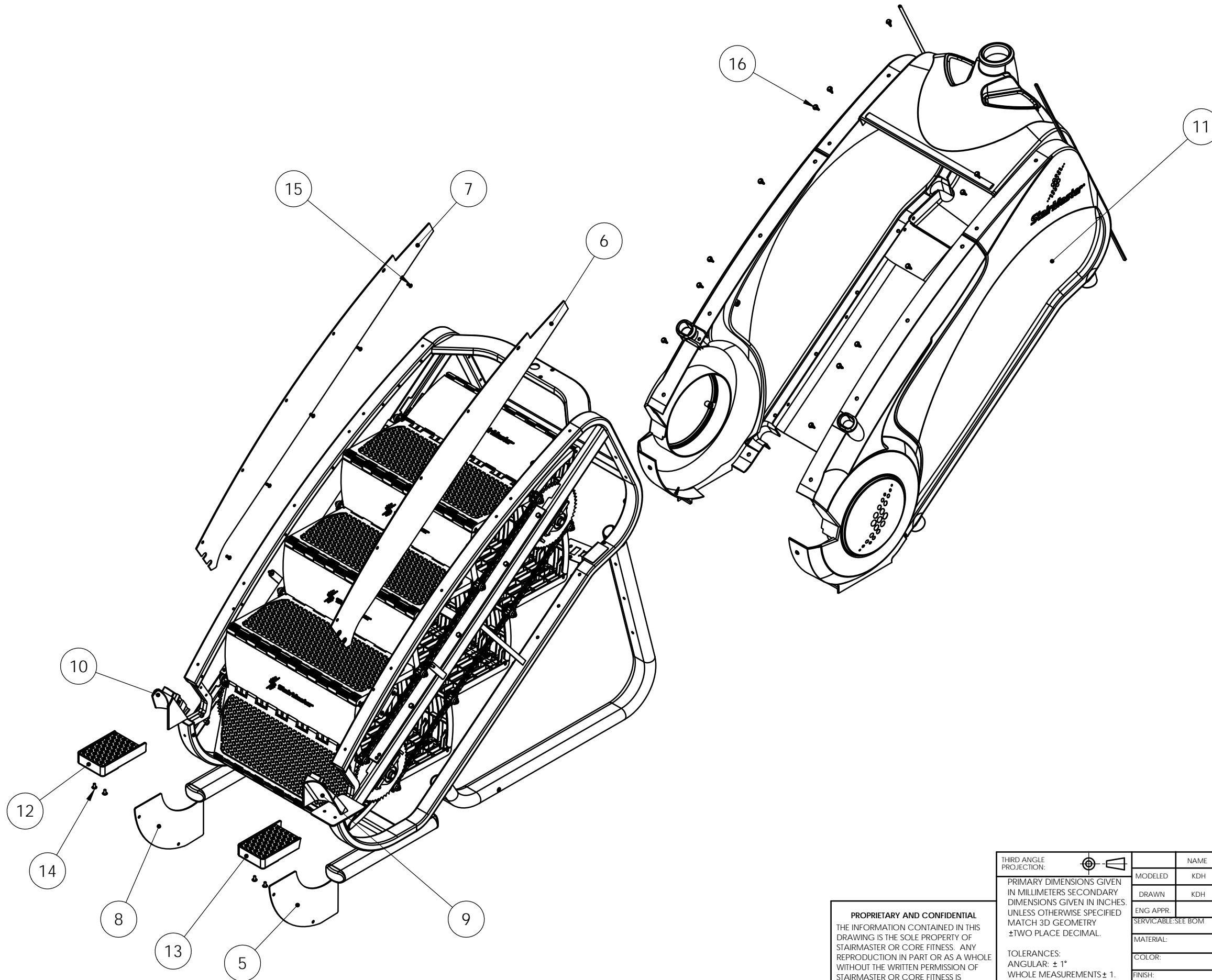
**PROPRIETARY AND CONFIDENTIAL**  
 THE INFORMATION CONTAINED IN THIS DRAWING IS THE SOLE PROPERTY OF STAIRMASTER OR CORE FITNESS. ANY REPRODUCTION IN PART OR AS A WHOLE WITHOUT THE WRITTEN PERMISSION OF STAIRMASTER OR CORE FITNESS IS PROHIBITED.

THIRD ANGLE PROJECTION:   
 PRIMARY DIMENSIONS GIVEN IN MILLIMETERS SECONDARY DIMENSIONS GIVEN IN INCHES. UNLESS OTHERWISE SPECIFIED MATCH 3D GEOMETRY ±TWO PLACE DECIMAL.  
 TOLERANCES:  
 ANGULAR: ± 1°  
 WHOLE MEASUREMENTS ± 1.  
 ONE PLACE DECIMAL ± .3  
 TWO PLACE DECIMAL ± .15

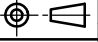
NAME	DATE
MODELED: KDH	7/22/2010
DRAWN: KDH	12/22/2010
ENG APPR:	
SERVICABLE:SEE BOM	
MATERIAL:	
COLOR:	
FINISH:	
VENDOR PN:	

StairMaster	
MODEL DESCRIPTION: SM5 BASE ASSY	
3D MODEL: PA131 H:\Engineering on the 5 drive (8-19)\Engineering\Product Development\VPD	REV: 05 08-19-2011
150005	A
DRAWING: PA131 H:\Engineering on the 5 drive (8-19)\Engineering\Product Development	REV: 05 08-19-2011
150005	A
SCALE: 1:7.5 CONFIG:electrical detail	SIZE: B SHEET: 2 OF 3





**PROPRIETARY AND CONFIDENTIAL**  
 THE INFORMATION CONTAINED IN THIS DRAWING IS THE SOLE PROPERTY OF STAIRMASTER OR CORE FITNESS. ANY REPRODUCTION IN PART OR AS A WHOLE WITHOUT THE WRITTEN PERMISSION OF STAIRMASTER OR CORE FITNESS IS PROHIBITED.

THIRD ANGLE PROJECTION:   
 PRIMARY DIMENSIONS GIVEN IN MILLIMETERS SECONDARY DIMENSIONS GIVEN IN INCHES. UNLESS OTHERWISE SPECIFIED MATCH 3D GEOMETRY ± TWO PLACE DECIMAL.  
 TOLERANCES:  
 ANGULAR: ± 1°  
 WHOLE MEASUREMENTS ± 1.  
 ONE PLACE DECIMAL ± .3  
 TWO PLACE DECIMAL ± .15

	NAME	DATE
MODELED	KDH	7/22/2010
DRAWN	KDH	12/22/2010
ENG APPR.		
SERVICABLE:SEE BOM		
MATERIAL:		
COLOR:		
FINISH:		
VENDOR PN:		

MODEL DESCRIPTION:		3D MODEL:	REV
 SM5 BASE ASSY		P:\1\H\Engineering on the 5 drive (8-19)\Engineering\Product Development\VPD	08-19-2011
		150005	A
DRAWING:		150005	A
SCALE: 1:50 CONFIG:plastics		SIZE: B SHEET: 3 OF 3	